

Harvia woodburning products

Woodburning stoves • Extra equipment for stoves

HARVIA

Natural well-being.



Table of Contents

3	Natural well-being
4	Woodburning stoves
4	Stove selection guide
5	Harvia M1 ja M3
5	Harvia 20 Pro
5	Harvia 20 ES Pro
6	Harvia 26 Pro
6	Harvia 36
6	Harvia 50
7	Harvia Duo
7	Harvia SL -kiukaat
7	Harvia Premium ja Premium VS
9	Harvia Classic Top
11	Harvia Legend 150
11	Harvia Legend 240
11	Harvia Legend 300
12	Harvia Legend stoves' extra equipment
14	Technical data
15	Protective sheath and bedding
16	Cauldrons
16	Water heaters
18	Steel chimney
19	Smoke pipes
19	Sauna products
19	Sauna stones



NOVELTY!

New protective sheaths

The protective sheaths for woodburning stoves significantly shorten the safety distances to burning material – in practice this helps the stove fit into a smaller space. The protective sheath is attached to the stove and shaped around it, which makes the whole stove look sleeker.



Harvia's woodburning stoves are CE marked

Harvia's woodburning stoves and protective sheaths have been tested in an outside facility and have been CE certified. The stoves and protective sheaths thus meet all the international fire and operational safety requirements, which did come into force in Finland on 1 July 2013. Note! Stoves must always be installed according to the installation instructions provided with the stoves.

The instructions for installation and use of all the products can be found at www.harviasauna.com/manuals.



Harvia products are designed and manufactured with the environment in mind. Sustainable choices are not only good for the environment, they are also good for people. The Harvia Cares symbol demonstrates that Harvia is committed to sustainable development.

The material of this brochure has also been selected with respect for nature. It has been pressed on MultiArt Silk paper in which manufacture has been used wood from PEFC Certified forests.



Natural well-being.

Harvia brings quality and comfort to sauna bathing without compromising the long traditions of Finnish sauna. You can just lie back and enjoy the natural well-being of a Harvia sauna. In a Harvia sauna the essential elements of nature – wood, stone and water – combine to create a relaxing oasis of well-being.

The soft warmth of sauna offers you several health benefits: improved blood circulation and immunity, relief from muscle pain and headache, stress relief, and physical and mental relaxation.

Harvia's woodburning products give warmth and enjoyable moments, cherishing traditions. Long experience, Finnish sauna traditions and continuous, well-planned product development can be felt in every product.

We value nature and its diversity. Therefore we want to take care of its purity by developing as environment-friendly products as possible. It is easy for you to choose a product that suits your needs in the versatile woodburning product range.

HARVIA Natural well-being.



Harvia woodburning stoves

Wood is a natural choice – it prepares your senses for enjoyment. Relax in the embrace of your sauna, and experience the true spirit of the sauna bath. Harvia has accrued 60 years of experience about how to provide pleasant and sufficient heat. Cherishing the Finnish sauna tradition, elegant design, and materials of high quality make the woodburning stove of Harvia the heart of your sauna.

Harvia stoves have a cast-iron fire grate and glass door. Two separate burning channels guarantee a fast heating of the sauna and a pleasant bath. The stoves must be installed on a chimney with the temperature class T600 (max. nominal chimney gas temperature of fireplace 600 °C).

From Harvia's extensive product range, using the Stove selection guide, you can choose the Harvia stove that suits your sauna best and that will guarantee you Finnish sauna enjoyment year after year. Harvia offers water heaters, cauldrons, protective sheaths, steel chimney, and smoke pipes, as well.

An example of the air and fire circulation of a Harvia stove



1. Incoming air and fire circulation during the burning process.
2. Air heating between the body and the outer casing.
3. Air flow through the stone space.



Stove selection guide

A properly built sauna room is a very important factor in getting the most out of your woodburning stove. Stove power should be selected on the basis of the size and material of the sauna.

- If the sauna has stone, glass or similar non-insulated surface, the stove power requirement is increased by 1.2 cubic meters for each square meter of such surface.
- If the interior wall of the sauna room is non-insulated log, multiply the cubic volume of sauna by 1.5.
- Remember that the walls and ceiling in particular need to be very well insulated.
- You should also pay attention to sauna room ventilation. Efficient air circulation ensures that the bathers can enjoy clean air that is easy to breathe.

Harvia M1 and M3

A stylish stove for smaller saunas.

Harvia M1/M3 has a classic design and is suitable for smaller, wood-heated saunas. It turns a sauna bath into a pleasurable experience and adds a touch of traditional sauna atmosphere. The even heat and efficient air circulation guarantee an enjoyable bath.

The Harvia M3 comes equipped with a glass door, allowing the warm glow of the fire to complement the sauna atmosphere. Harvia M1 does not have a glass door. The colour of the stove is elegant graphite black and it has a stainless steel air-flow spoiler. The stove can be equipped with a pipe model water heater.

The recommended size of the sauna room is 4.5–13 m³ and the maximum amount of stones is 30 kg.



Harvia M1

Harvia M3

Harvia 20 Pro

The source of strong heat.

Harvia 20 Pro gives a good hot bath in medium-sized saunas. It has a big stone space and an air-flow spoiler made of stainless steel. Through the cast-iron glass door the warm glow of the fire adds to the sauna atmosphere. The sturdy 10 mm fire space cover ensure durability. This model also features adjustable legs to facilitate installation and, for example, help in adjusting the height of the smoke outlet, and it can be equipped with a pipe model water heater. The outer casing of the stove is painted graphite black.

The recommended size of the sauna room is 8–20 m³ and the maximum amount of stones is 40 kg.



Harvia 20 Pro

Harvia 20 ES Pro

A favourite for cottage saunas.

A popular choice for cottage saunas, Harvia 20 ES Pro is a practical stove that provides a good, hot sauna bath. The 20-litre water container at the front of the stove is easy to use. Water will be heated by the time your sauna is ready for bathing. There is a water faucet on the side of the stove and it can be placed on the left or right side. Through the cast-iron glass door the warm glow of the fire adds to the sauna atmosphere. The sturdy 10 mm fire space cover ensure durability. The stove features a big stone space and an air-flow spoiler made of stainless steel. The stove is also equipped with adjustable legs.

The outer casing of the Harvia 20 ES Pro stove is painted graphite black. Harvia 20 ES Pro S stove's outer casing is stainless steel.

The recommended size of the sauna room is 8–20 m³ and the maximum amount of stones is 40 kg.



Harvia 20 ES Pro

Harvia 20 ES Pro S



Harvia 26 Pro

Top-class bathing.

Harvia 26 Pro brings top-class bathing to larger saunas. The large number of stones ensures good heat even if the fire dies down. The stove features a cast-iron glass door and an air-flow spoiler made of stainless steel. The adjustable legs make the stove easy to place in the sauna. The stove can be equipped with a pipe model water heater. The outer casing of the stove is painted graphite black.

The recommended size of the sauna room is 10–26 m³ and the maximum amount of stones is 50 kg.



Harvia 36

Great baths for great crowds.

Harvia 36 is a power stove for big saunas. Its characteristics provide enough power to make bathing comfortable, even for a big crowd. The large number of stones means that you can spend more time bathing in the sauna. The heat won't run short, even if the fire dies down in the stove. The air-flow spoiler is made of stainless steel. The adjustable legs make the stove easy to place in the sauna.

The outer casing of the stove is painted graphite black. It can be equipped with a pipe model water heater.

The recommended size of the sauna room is 14–36 m³ and the maximum amount of stones is 60 kg.



Harvia 50

The king of public saunas.

Harvia 50 is the king of public saunas, and designed for really large groups. The huge amount of stones releases heat evenly into big spaces. This stove offers bathing in the true spirit of traditional Finnish sauna.

Harvia 50 is designed for use in very large public saunas. The stove is graphite black.

The recommended size of the sauna room is 20–50 m³ and the maximum amount of stones is 120 kg.

Harvia 50 stove has no CE certification.



Harvia Duo

More atmosphere.

Harvia Duo is a combination of woodburning sauna stove and fireplace. Heat your sauna to bathing temperature – and enjoy the warmth of the fire at the same time. Duo enhances the traditional spirit of the sauna and gives a good, hot bath.

Harvia Duo is also very durable. The outer casing of the stove is made of high-quality stainless steel. The stove has a large, stylish steel-framed glass door. The stove can be equipped with a pipe model water heater.

Two different powers are available: **Harvia 20 Duo**: the recommended size of the sauna room is 8–20 m³ and the maximum amount of stones is 40 kg. **Harvia 36 Duo**: the recommended size of the sauna room is 14–36 m³ and the maximum amount of stones is 60 kg.



SL and Boiler stoves

Ease of use reaches a new level.

The SL models are designed for people who want to conveniently heat their sauna from another room or outside the building. The opening direction of the door can be changed, making these stoves even easier to use. SL and Boiler stoves provide great bathing in small and medium-sized saunas. The boiler stoves can be equipped with a separate water tank and protective sheaths.

All Harvia stoves for through-the-wall heating and Boiler models are equipped with a glass door to give that special feeling. The adjustable legs in 20-series make it easy to install the stove in a straight position despite floor inclination.



Harvia M3 SL

Harvia 20 SL

Harvia Premium and Premium VS

Modern design for a wood-heated sauna.

Harvia Premium is a stylish stove for medium-sized saunas. The outer casing of the stove is stainless steel. The stove can be equipped with a pipe model water heater. The adjustable legs make the stove easy to place in the sauna. Through the cast-iron glass door the warm glow of the fire adds to the sauna atmosphere. The sturdy 10 mm fire space cover ensures durability.

Harvia Premium VS is a good choice for a cottage sauna, as it has a fair-sized water container (30 l) by the side of the stove. Water heats up at the same time as the stove warms the sauna ready for bathing. Water faucet is in the front and it is possible to change the handedness of the water container.

The recommended size of the sauna room is 8–20 m³ and the maximum amount of stones is 40 kg.



Premium

Premium VS



Harvia Classic Top

A woodburning stove with a cover.

Harvia Classic Top stove takes sauna-bathers back 60 years to the time when the first woodburning Harvia stove was manufactured. Like the first Harvia stove, the Classic Top also has a cover.

The outer casing of the stove combines stainless steel with thick, painted graphite black iron. The large stone surface area of the stove provides a festive sauna bath experience. Through the cast-iron glass door the warm glow of the fire adds to the sauna atmosphere. The opening direction of the door can be changed. The stove can be equipped with a pipe model water heater. The adjustable legs make the stove easy to place in the sauna. The stoves are available in two models: **Classic 280 Top** and **Classic 400 Top Duo**. You can heat the Duo model easily from another room and enjoy a pleasant fire while heating the sauna.



Classic 280 Top

Classic 280 Top: the recommended size of the sauna room is 10–26 m³ and the maximum amount of stones is 60 kg.

Classic 400 Top Duo: the recommended size of the sauna room is 14–36 m³ and the maximum amount of stones is 80 kg.



Cover closed.

The stones heat up quickly but the temperature in the sauna does not rise too high.

Cover open.

The air flows through the stove and heats the air in the sauna efficiently.



Classic 400 Top Duo

Adjust the sauna bath according to your individual taste.

The heat is soft thanks to the cover-regulated air circulation. When the cover is down, the stones heat up quickly but the temperature in the sauna does not rise too high. The stove only starts to heat the air at full capacity when the cover is opened. Throw water on the stones and enjoy the soft heat – in a desired temperature.

If the cover is open during the entire heating, the stove warms up and heats the sauna like a conventional woodburning stove.

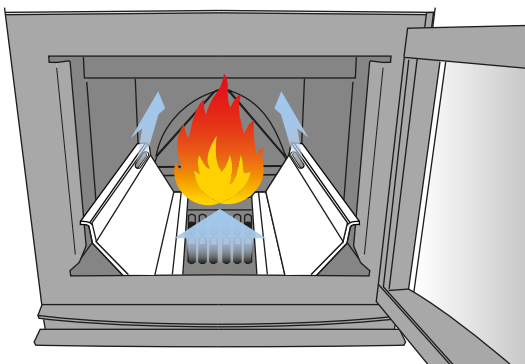


Harvia Legend series

The Harvia Legend woodburning stoves give you the ultimate sauna experience. The black steel frame has a mighty amount of stones inside, and as they heat up, you get a magnificent sauna bath even at a lower temperature. The large number of stones ensures good heat, even if the fire dies down in between.

The Legend stoves have a modern fire grate structure that enables the wood to burn more efficiently and cleanly. The smaller than usual safety distances from the side and back surfaces to combustible materials enable you to locate the benches more freely. The Legend stoves can be equipped with a pipe model water heater.

The Legend SL and Duo models are designed for people who want to conveniently heat their sauna from another room or outside the building. As **extra equipment for the Legend stove** are available smoke pipe cover and protective sheath and bedding.



The fire chamber of Legend stoves has a modern grate structure that separates the combustion air. Part of the air is directed to the upper part of the fire chamber. This way the burning is cleaner and more efficient. This grate structure also gives the stove a longer lifespan.



Harvia Legend 150

The Harvia Legend 150 offers a comfortably moist sauna bath for a smaller sauna. The stove is a treat for the eye and for the sauna bather. The Harvia Legend 150 is equipped with a cast-iron glass door, allowing the warm glow of the fire to complement the sauna atmosphere. The adjustable legs make the stove easy to place in the sauna.

The recommended size of the sauna room is 6–13 m³ and the maximum amount of stones is 120 kg.



Legend 150 SL



Harvia Legend 240

The Harvia Legend 240 is an excellent choice for a medium-sized sauna. It is equipped with a cast-iron glass door, allowing the warm glow of the fire to complement the sauna atmosphere. The adjustable legs make the stove easy to place in the sauna.

The recommended size of the sauna room is 10–24 m³ and the maximum amount of stones is 200 kg.



Legend 240 SL



Legend 240 Duo

Harvia Legend 300

The Harvia Legend 300 gives a mighty bath for medium-sized and large saunas. The stove comes with a large and stylish steel-framed glass door. The fair-sized fire chamber can take even bigger firewood, with the maximum length of 47 cm. The adjustable legs make the stove easy to place in the sauna.

The recommended size of the sauna room is 14–28 m³ and the maximum amount of stones is 260 kg.



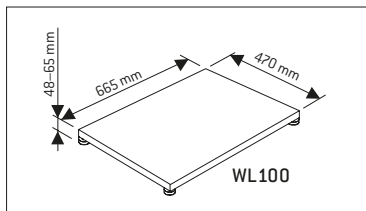
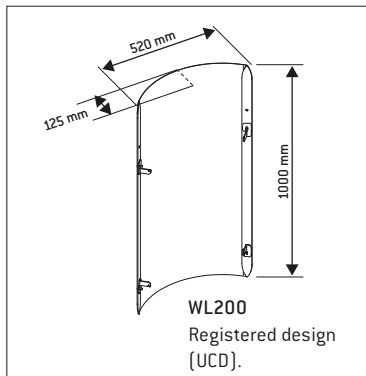
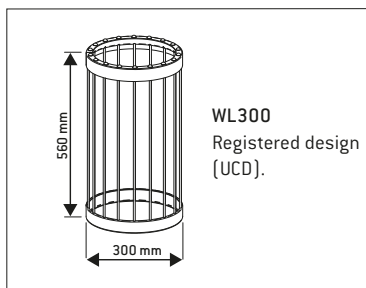
Legend 300 Duo



Harvia Legend stoves' extra equipment

Legend smoke pipe cover

Legend woodburning stove can be equipped with a stone-filled smoke pipe cover. When the smoke pipe cover is used, the safety distance of the smoke pipe is made noticeably shorter, as the heat radiation is for mostly stored in the stones. The product is both elegant and practical, as water can be thrown onto a much larger area. The product can be used in all Legend woodburning stoves and with Harvia steel chimney. Stone amount ca 40 kg.



Legend protective sheath and bedding

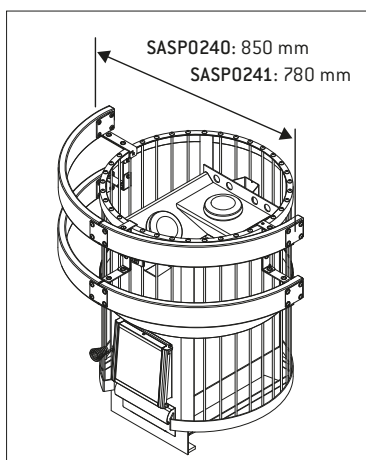
Legend protective sheath makes the safety distances of the stove considerably shorter. The number of protective sheath elements mounted can range from 1 to 3 as required. The protective sheaths allow the safety distance to be reduced to half on all protected sides. The product can be used with all woodburning Legend stoves. The sheath is made of black painted metal sheet. Weight 6,7 kg.

Legend protective bedding is made of aluminium-zinc-coated steel sheet which is painted black. The protective bedding is used, for example, when the stove is installed on a tile floor with a water barrier treatment. Weight 8,5 kg.

Legend safety railing

The Legend safety railing is attached directly to the stove, which makes it very sturdy. The safety railing is suitable for both electric and woodburning Legend stoves. One railing can be used to form a semi-circular double railing. In this case, you will need additional mounting brackets, which are sold separately. The safety railings are made from heat-treated aspen.

The safety railing SASP0240 is suitable for stove models Legend 240, Legend 240 SL, Legend 240 Duo, Legend 300 and Legend 300 Duo. The safety railing SASP0241 is suitable for stove models Legend 150 and Legend 150 SL.



Complete the interior of your sauna

Complete the interior of your sauna with the Legend glass door and sauna light that match the Legend stove series visually.

Legend glass doors' frames are black tinted pine and the door handle is black painted hardwood. The glass colour alternatives are: clear, bronze, smoky grey and satin. The Legend glass door is available in all standard sizes (7 x 19, 8 x 19, 9 x 19, 8 x 21 and 9 x 21). Legend door is available also with black painted aluminium frame.

Legend sauna light is black painted. Measurements 230 x 180 mm (width x height). The package includes both lamp and lamp shade. Protection level IP44, bulb E14 (max. 40 W) not included in delivery.



Legend glass door



Legend sauna light



Woodburning stoves

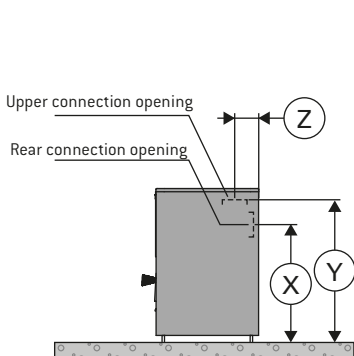
Product	Power kW	Recommend-ed sauna room size min-max m ³	Dimensions (W x D x H) mm	Adjust-able height ca mm	Weight ca kg	Stone space max. kg [*]	Fire space-cover mm	Diameter of smoke outlet mm	Location of smoke outlet mm			The safety distance from combustible materials			
									X	Y	Z	A min.	B min.	C min.	D min.
Harvia M1/M3	16,5	6-13	390 x 430 x 710		45	30	5	115	560	640	120	1300	300	300	300
Harvia 20 Pro	24,1	8-20	430 x 510 x 760	+30	60	40	10	115	560	670	120	1300	300	300	300
Harvia 20 ES Pro	24,1	8-20	430 x 650 x 760	+30	75	40	10	115	560	670	120	1300	300	300	300
Harvia 26 Pro	26,6	10-26	430 x 510 x 810	+30	65	50	6	115	690	750	130	1280	375	375	375
Harvia 36	31	14-36	510 x 510 x 810	+30	70	60	6	115	680	750	130	1250	500	500	500
Harvia 50	40	20-50	510 x 720 x 1050		160	120	10	140	890	1090	130	1250	500	500	500
Harvia Classic 280 Top	26,6	10-26	485 x 520 x 930	+30	80	60	6	115	690	750	135	1280	375	375	375
Harvia Premium	24,1	8-20	445 x 530 x 780	+30	65	40	10	115	560	670	120	1300	300	300	300
Harvia Premium VS	24,1	8-20	590 x 530 x 780	+30	70	40	10	115	560	670	120	1300	300	300	300
Harvia Legend 150	16	6-13	530 x 530 x 740	+30	58	120	5	115	560	640	180 ± 5	1000	200	250	500
Harvia Legend 240	18	10-24	600 x 600 x 830	+30	75	200	10	115	560	670	200 ± 5	1000	200	250	630
Harvia Legend 300	24	14-28	600 x 660 x 1040	+30	94	260	6	115	690	750	210 ± 5	1000	200	250	680

*] The amount of stones varies depending on the consistency and shape of the stones as well as how they have been piled. Harvia recommends stones 10 – 15 cm in size for wood-burning stoves.

Duo, SL and Boiler stoves

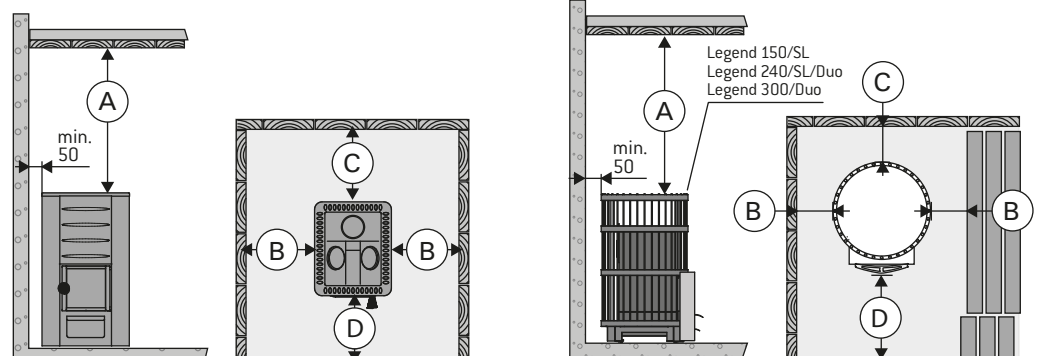
Product	Power kW	Recommend-ed sauna room size min-max m ³	Dimensions (W x D x H) mm	Adjust-able height ca mm	Weight ca kg	Stone space max. kg [*]	Fire space-cover mm	Diameter of smoke outlet mm	Size of installation hole mm		The wall thickness max. mm	The safety distance from combustible materials			
									Width	Height		A min.	B min.	C min.	D min.
Harvia M3 SL	16,5	6-13	390 x (430 + 220) x 710		50	30	5	115	210	390	150	1300	300	300	300
Harvia 20 SL	24,1	8-20	430 x (510 + 220) x 760	+30	70	40	10	115	210	390	150	1300	300	300	300
Harvia 20 Duo	24,1	8-20	430 x (510 + 280) x 760	+30	80	40	10	115	405	485	150	1300	300	300	300
Harvia 36 Duo	31	14-36	510 x (510 + 280) x 810	+30	80	60	6	115	405	485	150	1250	500	500	500
Harvia Classic 400 Top Duo	31	14-36	560 x (520 + 230) x 960	+30	110	80	6	115	405	485	145	1250	500	500	500
Harvia Legend 150 SL	16	6-13	530 x (530 + 200) x 740	+30	62	120	5	115	210	390	150	1000	200	250	500
Harvia Legend 240 SL	21	10-24	600 x (600 + 180) x 830	+30	82	200	10	115	210	390	150	1000	200	250	630
Harvia Legend 240 Duo	21	10-24	600 x (600 + 180) x 830	+30	95	200	10	115	405	485	120	1000	200	250	630
Harvia Legend 300 Duo	23,5	15-30	600 x (660 + 120) x 1040	+30	99	260	6	115	405	485	120	1000	200	250	700

Connection openings



The stoves safety distance from combustible materials

Minimum distance to a stone wall 50 mm.



Protective sheaths and bedding

The durable, tested and safe Harvia protective sheaths significantly shorten the safety distances to burning material; in practice, this helps the stove fit into a smaller space. The settling of log walls does not prevent the use of a protective sheath. The Harvia protective sheath combined with the CE-marked Harvia stove comply with the newest regulations.

Note! If you have any questions regarding safety distances, please contact your local authority.



Each stove has its own protective sheath

The protective sheath is attached to the stove and is shaped around it, which makes the whole stove look sleeker. Each stove model has its own protective sheath, which is why no compromises were necessary in the development of the design or the protection capability.

The protective sheath is available both as a full version and as a one-sided sheath, which can be installed on either side of the stove. The material used in protective sheaths is a steel plate painted black.



Protective sheath and bedding

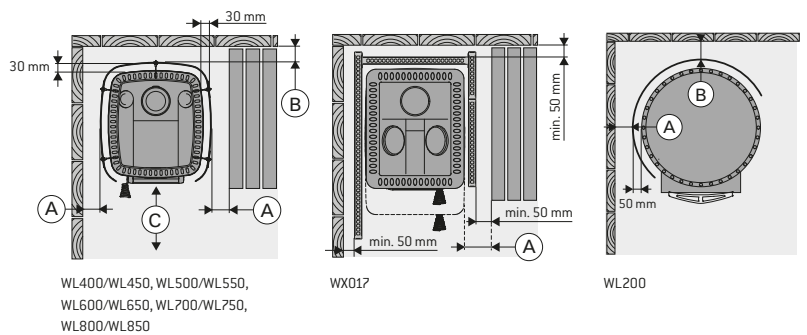
The protective sheath is made of a painted aluminium-zinc coated steel sheet. It can be placed horizontally as close as 50 mm from the inflammable material.

The protective bedding is used, for example, when the stove is installed on a waterproofed tile floor. The protective bedding is also available in black (WL100), see p.12

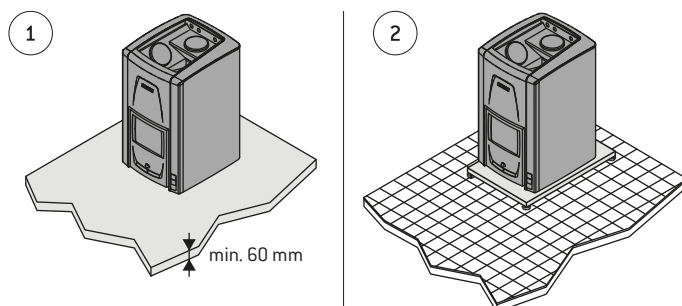
Note! The floor in front of the fire must be shielded.



Protective sheath	Stove	A min.	B min.	C min.
WL400/WL450	M1, M2, M3/SL	50	50	300
WL500/WL550	20 Pro/SL/Duo 20 Boiler/20 SL Boiler	62	62	422
WL600/WL650	20 ES Pro/S			
WL700/WL750	26 Pro	73	73	526
WL800/WL850	36/36 Duo	90	90	700
WL200	Legend 150/150 SL, 240/SL/ Duo, 300/300 Duo	30	30	-
WX017	M1, M2, M3/SL, 20 Pro, 20 SL/ Duo, 20 ES Pro/S, 20 Boiler, 20 SL Boiler, Premium, 50 L cauldron	A: if the stove is larger than the protective sheath, the stove's safety distances apply to the uncovered parts.		
WX018/WL100	M1, M2, M3/SL, 20 Pro, 20 SL/Duo, 20 ES Pro/S, 20 Boiler, 20 SL Boiler, Premium, Legend 150/150 SL, 240/SL/Duo, 50 L cauldron			



Protecting the floor



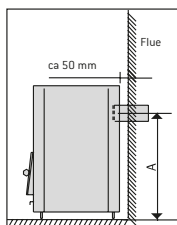
1. Concrete floor without tiles. The stove can be installed on a concrete floor without any specific safety measures, if the concrete is at least 60 mm thick. Make sure that there are no wires or water pipes in the concrete cast below the stove.
2. Tile floor. The floor glues and plasters and waterproof materials used below the tiles are not resistant to the heat radiation of the stove. Protect the floor with the Harvia protective bedding or similar heat radiation protection.

Harvia cauldrons

Harvia cauldrons are designed for heating larger amounts of water, mostly in cottage settings. They add a genuine Finnish cottage sauna atmosphere. You can choose your traditional sauna cauldron from two different models according to your water needs, either 50 or 80 litres. The durable, stainless steel inner cauldron can easily be removed for cleaning.

Thanks to the structure of the 50-litre cauldron fire chamber, the burning process is smooth and the heat is distributed directly under the inner cauldron. The water is heated up efficiently in this way. The replaceable fire chamber makes the product long-lasting. The traditional vermiculite insulation of the 80-litre cauldron keeps the outer surface cooler. The outer casing of the Harvia cauldron 50 L is made of stainless steel. The outer casing of the Harvia cauldron 80 L has been painted black.

The safety distances of the cauldrons from combustible materials are 1000 mm up for both cauldrons, and to the sides and back: 250 mm for the 50 L cauldron, and 150 mm for the 80 L cauldron. The wooden floor under the cauldron must be protected by at least 60 mm of concrete or Harvia protective bedding.



Harvia cauldron 50 L

Measurements:
435 x 500 x 770 mm
(W x D x H), weight 36 kg.

Diameter of smoke outlet
115 mm.

Location of smoke outlet
centre point, from floor (A):
580 mm.

Adjustable legs +30 mm.



Harvia cauldron 80 L

Measurements:
590 x 590 x 740 mm
(W x D x H), weight 75 kg.

Diameter of smoke outlet 145 mm.

Location of smoke outlet centre
point, from floor (A): 530 mm.

Harvia water heaters

Pipe model water heater

The water tank of the pipe model (22 l) is mounted directly onto the stove. The water heats up quickly because the pipe going through the tank functions as a wall of the water tank. Fits to all Harvia woodburning stoves except Harvia 50.

Electric water heater

Harvia's electric wall-mounted water heater is efficient and easy-to-use. It is designed for places where no hot, pressurised water is available, such as summer cottage kitchens, public rest cabins and hostels. The tank has a capacity of 27 litres. The water is heated by the heating element located at the bottom of the tank, the electrical capacity of which is 1800 W. The temperature can be regulated with the thermostat. The fuse is 10 A. The electric water heater is easy to clean.



Pipe model water heater

Capacity: 22 l.

Measurements:
355 x 190 x 410 mm
(W x D x H).



Electric water heater

Capacity: 27 l.

Measurements:
420 x 210 x 400 mm
(W x D x H).



Harvia 10 iron stove

An iron stove is an excellent heat source for holiday houses, sauna cabins and forest cabins. It's warm on the inside and you can even use it to make a quick cup of coffee. The entire fire chamber and cooking area of Harvia 10 are made of strong cast-iron that retains heat very well. Thanks to its convenient size, it is also easy to place. The durable, cast-iron door with ceramic glass is standard equipment on the iron stove. There is a convenient storage space in the bottom of the stove. Power 6,7 kW/20–200 m³. Harvia 10 is CE marked. Smoke extraction is sufficient with T450 class chimney, but we recommend T600 class Harvia steel chimney.

	Harvia 10 iron stove
Rated power kW	6,7
Heating power, air m ³	20–200
Total efficiency	80 %
Dimensions (W x D x H) mm	360 x 520 x 750
Weight kg	85
Diameter of smoke outlet mm	115
Locations and distances of smoke outlet centre points mm	
• at the rear in the middle, distance from the floor	650
• at the top in the middle, distance from the rear edge	150
• to the sides, height from the floor	650 / 120
Safety distances to combustible material structures mm	
• front surface	1000
• side and rear surface	500
• cooking area	1000
• base	0



Cast iron!



Harvia steel chimney

The Harvia steel chimney is an easy to install stylish chimney solution. The steel chimney withstands extensive changes in temperature and has mainly been designed for use with woodburning stoves, smaller fireplaces, and iron stoves in detached sauna buildings. Since the outer casing and inner tube are made out of stainless steel, the product is durable and maintains its appearance.

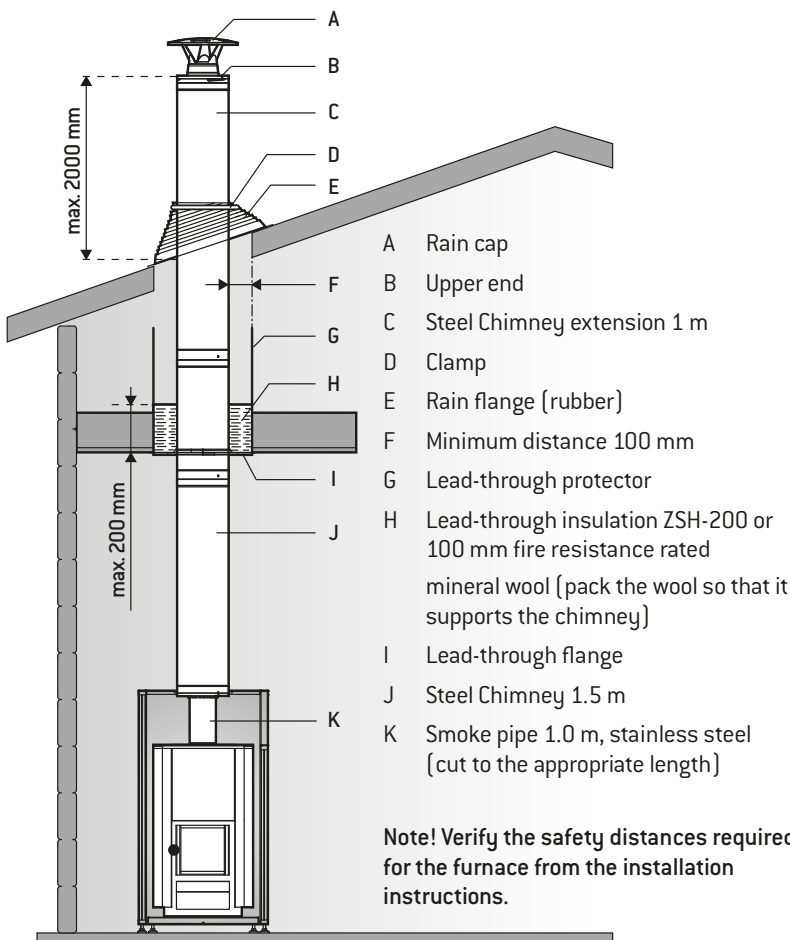
The standard delivery of the steel chimney includes a 1,5 m steel chimney (WHP1500) and a utility box with a rain cap, a rubber rain flange and an installation set for rain flange, a stainless steel lead-through flange for the ceiling and a lead-through insulation. The package also includes a 1 m long non-isolated smoke pipe. Supplementary parts of 0,5 m (WHP500) and 1,0 m (WHP1000) are available as accessories for this stainless steel chimney. Thanks to an ingenious mechanism, the supplementary parts are wound together and the smoke pipes are also equipped with slots to lock

them together. This prevents movement caused by temperature changes. Indoors, the chimney can be installed up to a height of 3 meters without support and outdoors the corresponding self-supported installation height is 2 m.

The rated maximum temperature of combustion gases for a furnace connected to a steel chimney is 600 °C. The external diameter of the steel chimney is 220 mm and the diameter of the smoke pipe is 115 mm. The safety distance to inflammable materials is 100 mm. The Harvia steel chimney has a CE-marking, so the product complies with all international fire- and operational safety requirements. The steel chimney is sootfire proof. Read the instructions for installation of the steel chimney and the attached furnace carefully.

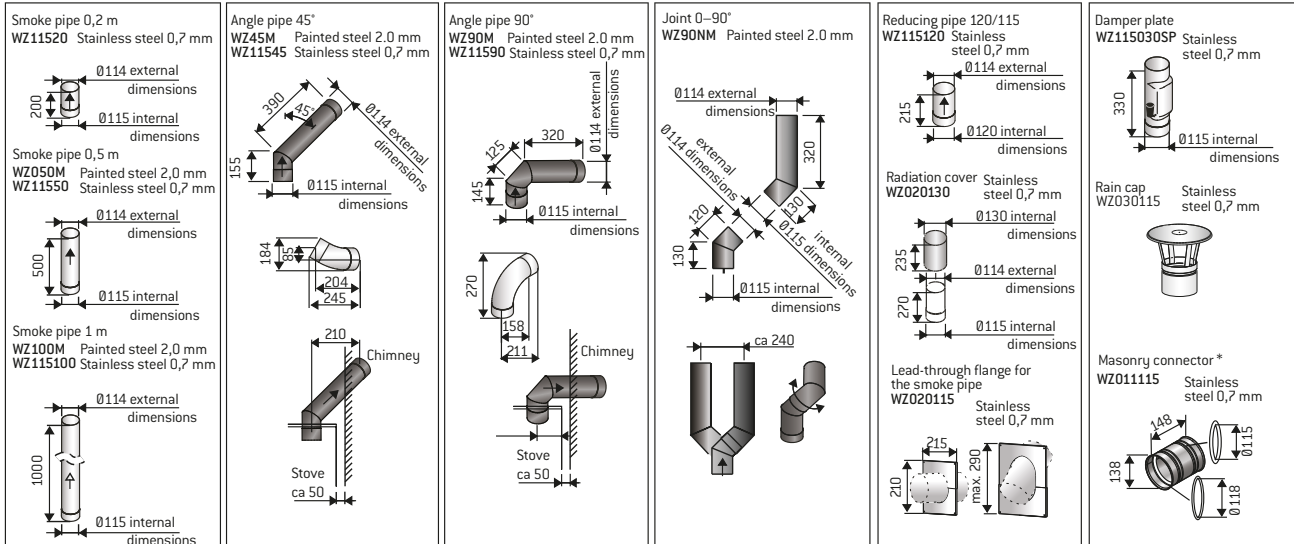


Cross profile of the steel chimney installation



Smoke pipes

Smoke pipes made of painted or stainless steel are available for all Harvia woodburning stoves (except for Harvia 50). Harvia's smoke pipes are CE marked.



*) The masonry connector is connected to the flue opening and does not require other seals – easy and clean. The inner side has a seal in both ends. The masonry connector can be used in the back and upper connection.

Harvia sauna products

Harvia's broad range of products offers everything from high-quality sauna stones to buckets and ladles to sauna whisks, sauna aromas and firewood baskets.



! Harvia sauna stones

Original Harvia sauna stones have been selected with respect to the old traditions and they provide a good, hot bath. Massive, split-face sauna stones are the only proper choice for all woodburning stoves and electric heaters, because they can store lots of heat and water evaporates efficiently from the wide surface of fracture. Angular split-face stones also allow loose placement of the stones.

Harvia sauna stones are available in two sizes. Stones in the range of 10 to 15 cm are suitable for the woodburning stoves and the heat-storing heaters such Forte. Smaller sauna stones in the range of 5 to 10 cm are suitable for electric heaters.



Harvia recommends stones 10–15 cm in size for woodburning stoves.

Harvia – The many stories of sauna.

The warmth of the sauna attracts us for different reasons. Sauna helps us to relax, to have a good time in good company, or simply to take a moment to ourselves. The comforting warmth of the sauna comes in many forms – in the traditional Finnish wood-heated sauna, the urban city home bathroom sauna, or the modern infrared cabin. We can enjoy sauna in summer as well as winter, in everyday life, or to celebrate special occasions. Sauna can tell many stories.

The Harvia story is unique as well. The company founded in 1950 by Tapani Harvia (1920–1998) has expanded over the decades from a small artist's forge into one of the world's leading sauna heater manufacturers and a forerunner in the sauna business. Behind the success story stands a determined and skillful inventor who forged his business idea and expertise into the shape of a sauna stove. Harvia has remained a Finnish family enterprise and the Harvia companies now employ 300 people. Products are exported globally.

Harvia has developed an extensive range of sauna products for the needs of different bathers. Harvia can provide everything you need in your sauna. Besides sauna heaters, Harvia manufactures saunas, sauna interiors, bathroom saunas, infrared cabins, steam generators, and sauna accessories. The company is firmly focused on product development and the challenges of the future. Harvia wishes to offer the relaxing warmth of the sauna to as many people as possible – just the way they want it.



Local dealer:

HARVIA
Natural well-being.

Contact information:
Harvia Ltd., P.O. Box 12, FI-40951 Muurame, FINLAND
Tel. +358 207 464 000, Fax +358 207 464 090
harvia@harvia.fi, www.harviasauna.com

The logo for SAUNAS DE PORTUGAL features a stylized 'S' and 'P' intertwined in blue and orange, with wavy lines below representing water. To the right, the text 'SAUNAS DE PORTUGAL' is written in blue and orange.