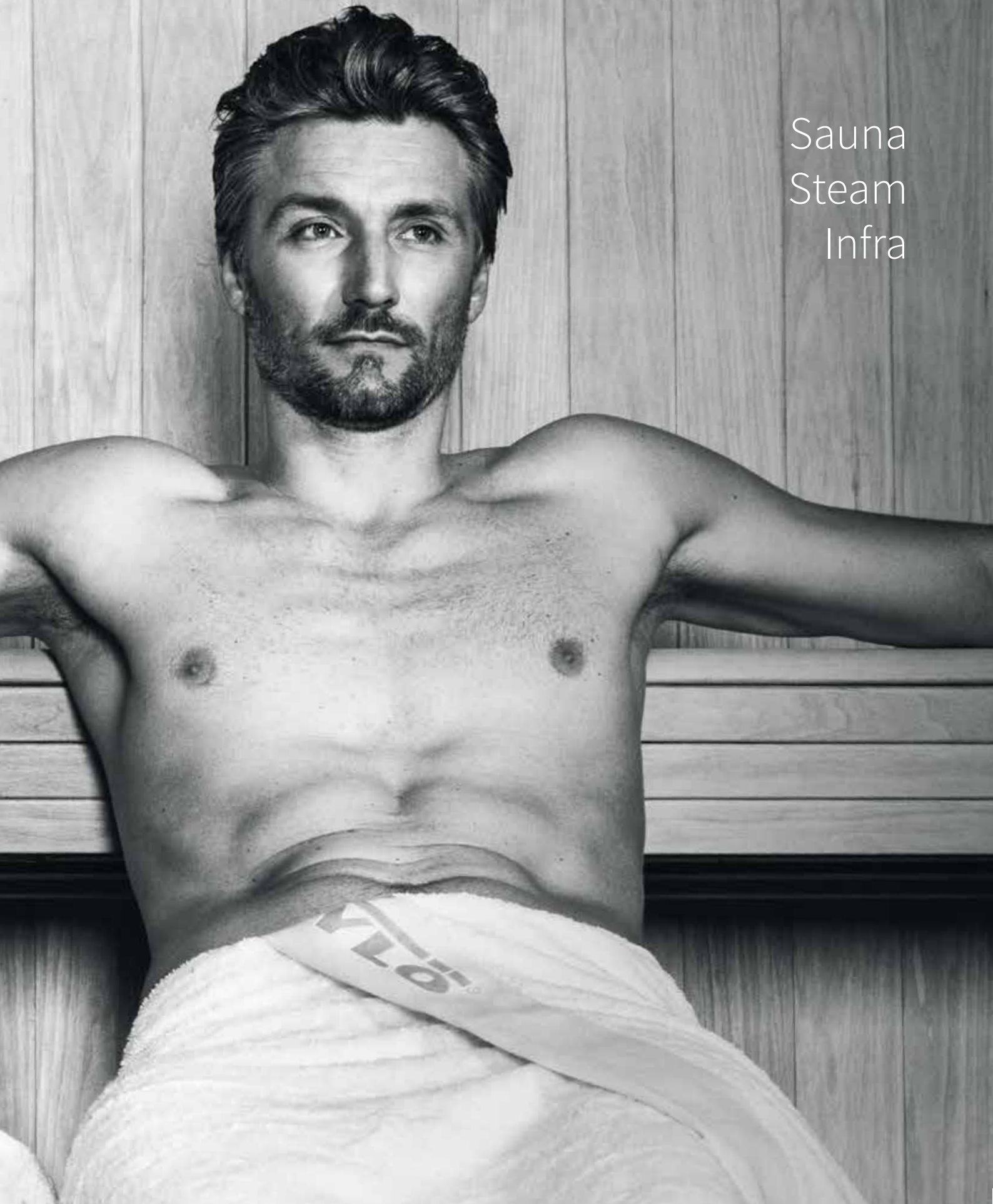


**TYLÖ®**

Sauna  
Steam  
Infra







# Contents

Six reasons to choose Tylö	4
Relaxology	6
Tylarium™	8
<b>Sauna</b>	<b>11</b>
Sauna room Evolve	12
Sauna room Tradition	14
Layouts for Tradition and Evolve	16
Modular systems for Tradition and Evolve	20
Sauna room Impression	22
Tylö Design room	25
Sauna construction	32
Interiors	34
Sauna doors	39
Glazed sections	41
Glass fronts and corners	42
Cleaning tips	43
Electric sauna heaters	44
Soft sauna heaters	46
Wood-fired sauna heaters	48
Sauna heater in technical terms	50
Specification – sauna heaters	52
Control panels	55
<b>Steam</b>	<b>59</b>
Steam column tx202	60
Impression i110/c	62
Impression i130 and i170	63
Impression Twin	64
Panacea	66
Elysée	68
Excellent	70
Steam generators	72
Steam doors	74
Control panels	75
Water quality	76
<b>Infra</b>	<b>79</b>
Prime+	80
<b>Accessories</b>	<b>82</b>

# 6 GOOD REASONS...

## ...to choose Tylö

### **Consistent high quality**

We know that our products maintain a high level of quality. That's why you can feel at ease thanks to the 5-year materials warranty we offer with our products.

### **Innovative design**

Smart solutions in the form of well-conceived energy-saving functions and a thorough approach to safety make Tylö's products market leaders. They are also attractive in appearance.

### **Made in Sweden**

With few exceptions, we manufacture all our products ourselves from scratch, at our own factory in Halmstad.

### **In-house development**

The fact that we develop all our products in-house at Tylö means that we have complete control, right down to the smallest detail. We feel it is important to take a holistic approach from beginning to end.

### **Extensive experience**

For more than 60 years we have been applying and maintaining the same high quality standards. We have been at the same address since the mid 1950s.

### **Strong support**

To ensure effective and rapid problem-solving, we operate our own support function. We feel this provides the shortest route between us as sauna experts and you as a sauna customer.



## ...to choose a Tylö sauna room

### Focus on details

Our sauna rooms are manufactured by sauna users for sauna users, with each sauna designed for the optimum sauna experience. With efficient ventilation, precise fit and sound construction, you get a sauna that will serve you well for years to come.

### Ready for electrical installation

Our sauna rooms are supplied complete with conduits for handy, concealed electrical installation.

### Perfect fit

A high level of precision in the components enables fast and simple installation. The Flex system for sauna rooms allows you to expand the size incrementally, making it easy to design a sauna that meets your exact wishes and requirements.

### Optimum ventilation

All sauna rooms from Tylö are equipped with air inlet and air outlet vents positioned according to Tylö standards. This ensures optimum heat distribution throughout the space.

### Sound construction

Sauna rooms from Tylö are constructed to be suitable for all types of sauna options. Our wide range of sauna doors can withstand the huge variations in temperature they are exposed to without warping or becoming deformed in any way. The wide, sturdy benches are made from solid wood, adding to the delightful overall feel.

### Made in Sweden with a long warranty

Our sauna rooms are manufactured completely in-house at our own factory, with no compromising on quality. Our choice of materials, such as solid wood, clearly reflect our quality ambitions and permeate everything we do. It's important to us because it's important to you. No matter how often or seldom you use your sauna, you can always count on reliable performance. Thanks to in-house production and scrupulous quality control you can always be assured that products from Tylö are a sound purchase. Consequently we can offer warranties that are the most generous in the industry.

# RELAXOLOGY

THE SCIENCE OF SAUNA

Relaxology is a ground-breaking concept that promotes a healthy lifestyle based on an enhanced sauna and steam sauna experience. Relaxology aims to facilitate deeper relaxation and provide optimum conditions for maximum performance with the aid of heat, moisture, aroma, sound and light therapy.



**HEAT:  
AFFECTS COGNITIVE FUNCTIONS**

Several different studies also indicate that the sense of “heat” can affect our cognitive functions and mood, like the serotonin content in our nerve paths. Heat-sensitive serotonin-containing nerve cells play an important role in stress-related mental illnesses, such as anxiety and depression<sup>1</sup>.

**HEALING:  
TREATMENT WITHOUT MEDICATION**

Research also shows that common complaints such as headaches can be effectively treated by taking regular saunas instead of drugs<sup>2</sup>.

It has also been proven that the occurrence of common colds can be reduced by taking saunas. Although more in-depth studies are needed to substantiate such assertions, a recent study shows that sauna users suffered significantly less colds than non-users<sup>3</sup>.

**1** Lowry CA, Lightman SL, Nutt DJ. Department of Integrative Physiology, University of Colorado in Boulder, Boulder, CO 80309-0354, USA. christopher.lowry@colorado.edu.

**2** Kanji G, Musculoskeletal Pain Specialist, Wellington Pain and Headache Clinic, Southern Cross Hospital, Wellington, New Zealand. Weatherall M, Peter R, Purdie G, Page R.

**3** Ernst E, Department of Physical Medicine and Rehabilitation, University of Vienna, Austria. Pecho E, Wirz P, Saradeth T.

**SAUNAS BOOST YOUR SEROTONIN**

From time immemorial, humans have used heat to alleviate both spiritual and physical ailments. Modern research is now proving that regular sauna use has measurable positive effects on blood serotonin levels.

**HEAT IS ANTI-DEPRESSIVE**

Researchers are currently investigating the link between the heat-sensitive serotonin-producing neurons and vulnerability to stress-related disorders, anxiety and depression.

**SAUNA USERS ENJOY BETTER HEART HEALTH**

Researchers followed a group of around 2,000 men aged 40-60 for a period of 20 years. During the follow-up it became clear that those who took regular saunas ran a significantly lower risk of suffering or dying from heart disease.

**REDUCING THE RISK OF HEART ATTACK**

A Finnish research team has attracted great attention with a study showing that regular sauna use can reduce the risk of heart attack in middle-aged men by up to 63%.

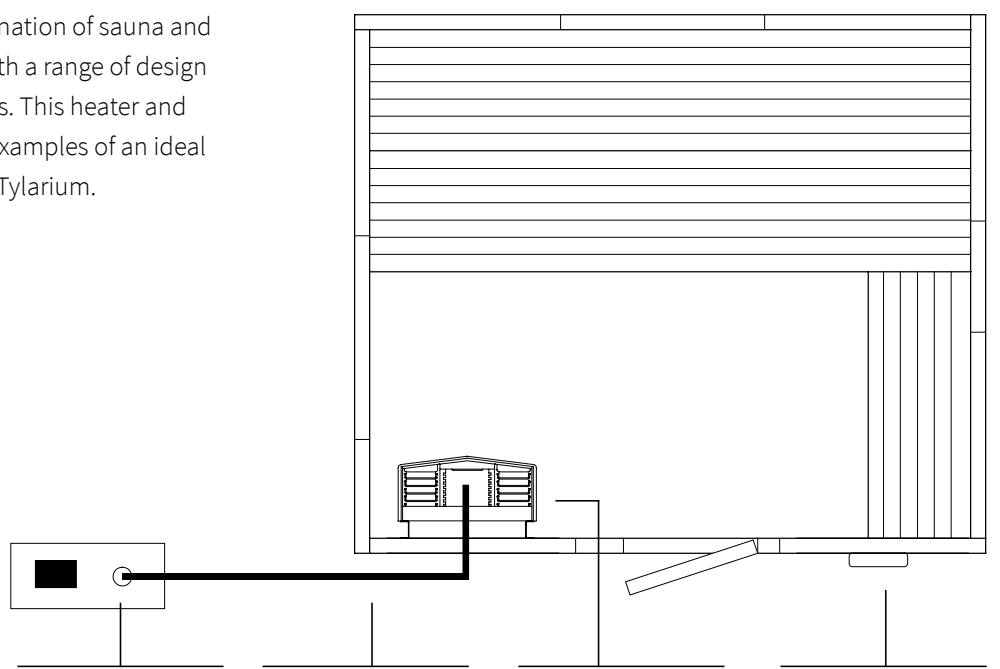
# Tylarium™

SAUNA | Tylarium™

Tylarium is Tylö's name for a range of bathing experiences where the various elements combine to produce an overall well-being experience that goes beyond the individual products.

There's a Tylarium for most purposes. A combination of sauna and steam bath, but with a range of design and feature options. This heater and control panel are examples of an ideal choice for use in a Tylarium.

## STEAM SAUNA LAYOUT DIAGRAM



A steam generator positioned up to 15 m from the sauna.

Steam pipe with outlet in the sauna.

The heater is installed inside the sauna. The required temperature setting is selected on the control panel.

The heater and steam generator are operated from the control panel which can be installed in the reception area of the swimming pool.

Size of sauna min./max. m <sup>3</sup>	Heater type (kW)	Relay box	Steam generator type (kW)	Control panel	Optional extras
6-12	Sense SK 8 (8)	RB 30	6 VA (6) or 6 VB (6,6)	CC 300T	Legs for heater
10-18	SDK 10 (10.7) or Expression 10 (10)	RB 30	6 VA (6) or 6 VB (6,6)	CC 300T	Steam distributor
15-35	SD 16 (16)	RB 60	9 VA (9)	CC 300T	Steam distributor
22-43	SD 20 (20)	RB 60	12 VA (12)	CC 300T	Steam distributor



STEAM GENERATORS TYLÖ VA



SD SAUNA HEATER WITH STEAM DISTRIBUTOR



CONTROL PANEL CC300T

# Electric sauna heaters

SAUNA | Electric sauna heaters

## ENJOY VARIETY

Tylö's electric sauna heaters are one of the keys to how you enjoy your spa – exquisitely enveloped in gentle steam and aromatic fragrances or traditionally in relaxing dry sauna heat. The way we want to spend our time in the sauna is a matter of personal preference and depends on the needs of the moment. A classic dry sauna, or a more humid Soft Sauna experience. Tylö's electric sauna heaters always deliver top performance, thanks to a combination of functionality, aesthetics and environment. Together with attractive surroundings, this creates the conditions for a perfect sauna experience.



NEW



**SENSE PURE** Pure control panel included.

**Sense Pure 6 kW** Item no. 6100 1031

**Sense Pure 8 kW** Item no. 6100 1033

**Legs for Pure** Item no. 9000 1060



**SENSE PLUS** Installed with separate electronic control panel. EC 50, CC50 or h1.

**Sense Plus 6 kW** Item no. 6100 1017

**Sense Plus 8 kW** Item no. 6100 1011

**Legs for Plus** Item no. 9000 1060

PRO



**SENSE SK** Sense SK is the choice for small public saunas together with RB30 and an electronic control panel.

**Sense SK 6 kW** Item no. 6100 1025

**Sense SK 8 kW** Item no. 6100 1027

**Legs for SK** Item no. 9000 1060



reddot design award

**EXPRESSION 10** A floor-standing model with robust cast legs and a reservoir for essential oils. Output: 10 kW. Colour: Black. Requires RB30 + CC50, CC300 or h1. Item no. 6100 1000



**EXPRESSION 10 CHAMPAGNE**  
Expression 10 in Champagne colour.  
Item no. 6100 1003



**EXPRESSION 10 COPPER**  
Expression 10 in Copper colour.  
Item no. 6100 1006



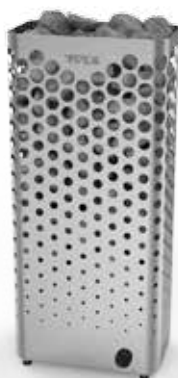
**COMPACT 2/4** Small stone compartment designed for Mini sauna stones. Time and temperature control knob on the front of the heater.  
Item no. 6220 2000



**TYLÖ CURVE** Designed to the same high standards as TyLö's other products but equipped with a simpler heating element.  
**Tylö Curve 6 kW** Item no. 6100 1046  
**Tylö Curve 8 kW** Item no. 6100 1045



**SENSE SPORT** Fitted with a time and temperature control knob on the front of the heater.  
**Sense Sport 6 kW** Item no. 6100 1018  
**Sense Sport 8 kW** Item no. 6100 1012  
**Legs for Sport** Item no. 9000 1060



**TYLÖ AIR** Substantial stone compartment that provides a more comfortable and gentler heat. Output: 10.5 kW. Pure control panel included.  
Item no. 6100 1042



PRO

**SDK 10** Intended to be combined with separate control panel type TS 16, TS 30 or CC and relay box RB 30. 10.7 kW output. A steam distributor for Tylarium can be added to SDK/SD.  
Item no. 6430 1009



PRO

**SD 16/ SD 20** Intended to be combined with separate control panel type TS 30 or CC/h1 and relay box RB 60. 16 kW output. A steam distributor for Tylarium can be added to SDK/SD.  
**SD 16 3x400V** Item no. 6430 3000  
**SD 20 3x400V** Item no. 6430 4000



PRO

**MEGA-LINE OC** Can be installed in all kinds of saunas – even in the centre of your sauna. Operated with relay box WE14 and control panel h2.  
**OC 10.5 kW** Item no. 6405 0230  
**OC 12 kW** Item no. 6405 0234  
**OC 15 kW** Item no. 6405 0235



PRO

**MEGA-LINE SK** Suitable for saunas 18–46 m<sup>3</sup>. Operated with relay box WE14 and control panel h2.  
**SK 18 kW** Item no. 6405 0236  
**SK 21 kW** Item no. 6405 0238  
**SK 26 kW** Item no. 6405 0240

Tylö has an extensive range of sauna heaters, both for home use and for public environments where reliability and higher performance are crucial.

Read more about our electric heaters at [tylo.com](http://tylo.com)

# Soft Sauna

SAUNA | Soft Sauna



We call it Soft Sauna – a gentle way to share a pleasurable experience. It is just as much a way of life as it is a technical sensation, and yet it takes up just a few square metres of space in your home. Invite your friends and family, select a therapeutic essential oil, feel the warmth and gentle steam engulf you, and enjoy being together – let Soft Sauna make an impression on your day.

## **WHAT'S YOUR TEMPERATURE?**

Soft Sauna picks up where traditional saunas leave off. Some people prefer a hot and quick sauna, others like to linger in mild temperatures,

enjoying the gentle steam and aromatic fragrances. Test for yourself which temperatures and options are ideal for you and your relaxing moment.

Imagine having a family home spa with the resources of a professional spa in a space smaller than 1.3 m<sup>2</sup>, where you can relax together, exquisitely engulfed in steam and aromatic scents – and yet also be able to enjoy the relaxing dry heat of a traditional sauna. Choose the sauna cubicle and heater that suits you and the way you want your moment to be. A moment that stretches on and beyond.



**COMBI COMPACT 4** 4 kW output, 400 V 2N~. For sauna rooms measuring 1.2–4 m<sup>3</sup>. Supplied with a 2.5 m cable. h1 control panel included.  
Item no. 6230 5000



**SENSE COMBI H2** Crossover heater offering dry sauna, wet sauna and steam sauna from a single unit. h2 control panel included.  
**Combi 6 kW** Item no. 6100 1016  
**Combi 8 kW** Item no. 6100 1010  
**Sense Combi legs** Item no. 9000 1061



**SENSE COMBI ELITE** Crossover heater offering dry sauna, wet sauna and steam sauna from a single unit. Elite control panel included.

To be launched in 2016



To be launched in 2016

**SENSE COMBI PURE** Crossover heater offering dry sauna, wet sauna and steam sauna from a single unit. Pure control panel included.



reddot design award

**EXPRESSION COMBI** Expression with steam feature. Mains connection to water and drainage controlled via separate valve box (included), which must be sited outside the sauna. Output: 10 kW. RB45 + h2 included.  
Item no. 6200 1010



**EXPRESSION COMBI CH** Expression Combi in Champagne colour.  
Item no. 6200 1013



**EXPRESSION COMBI CO** Expression Combi in Copper colour  
Item no. 6200 1016

The Expression Combi sauna heater takes everything to a whole new level. With automatic water refill, this heater provides relaxing steam saunas in your Tylö sauna room.

Read more about the Soft Sauna concept at [tylo.com](http://tylo.com)



## Wood-fired sauna heaters

Crackling heat, a resinous fragrance – there is something very special about a wood-fired sauna. Here at Tylö, we appreciate saunas in all their various forms, so we naturally have a wide range of wood-fired saunas too. We are pleased to offer wood-fired stoves from long-standing Finnish manufacturer, Kastor, renowned for its world-class quality products.

The wood-fired stoves can be installed with Tylö's complete chimney systems made of easy-to-assemble modular components. Our wood-fired sauna heaters are designed with

optimum quality in mind. Not just in terms of physical construction, but also for optimum function. Based on age-old Finnish sauna traditions, we offer wood-fired sauna heaters that show optimum consideration for environmental factors such as fuel economy and environmental impact. Thanks to skilful engineering we have succeeded in combining modern aesthetics and functionality with the genuine feeling provided by a wood-fired sauna.



**SAGA 20 PK** Takes wood-fired saunas to new heights with 150 to 230 kg of exposed stone providing soothing heat and steam. The surface of the stones makes the stove a delightful focal point. Technical specifications on p. 36. Item no. 6405 4290



**KARHU** With its depth, air control system and reinforced door, the Karhu is a safe and strong sauna stove. The Coanda system ensures optimal heating efficiency with reduced wood consumption. Technical specifications on p. 36.

- Karhu PK 12** Item no. 6405 4270
- Karhu PK 16** Item no. 6405 4271
- Karhu PK 20** Item no. 6405 4272
- Karhu PK 27** Item no. 6405 4274
- Karhu PK 37** Item no. 6405 4276



**KARHU VO/VV** As Karhu. VO has a water tank on the right. VV has a water tank on the left. (viewed from the front). Technical specifications on p. 36.

- Karhu PK 20 VO** Item no. 6405 4278
- Karhu PK 20 VV\*** Item no. 6405 4280
- Karhu PK 27 VO** Item no. 6405 4282
- Karhu PK 27 VV\*** Item no. 6405 4284
- Karhu PK 37 VO\*** Item no. 6405 4286
- Karhu PK 37 VV\*** Item no. 6405 4288

\*Products must be ordered.

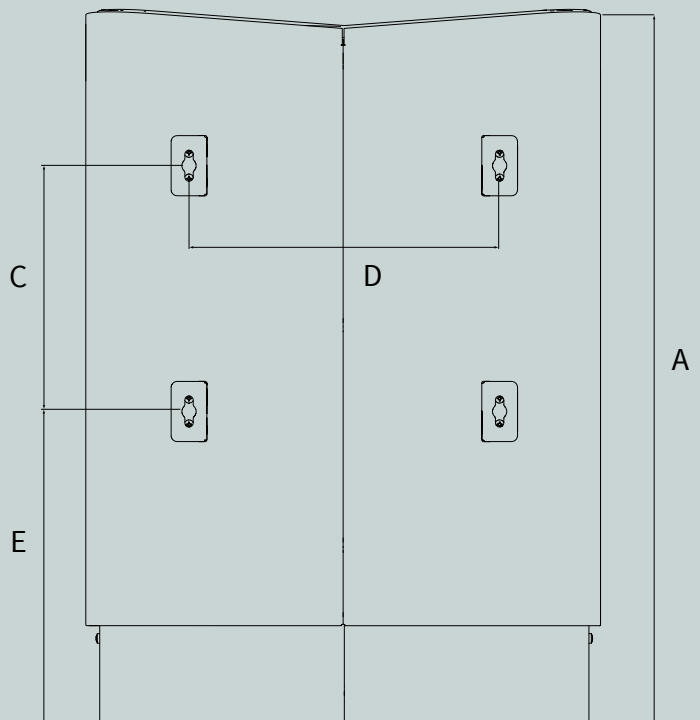
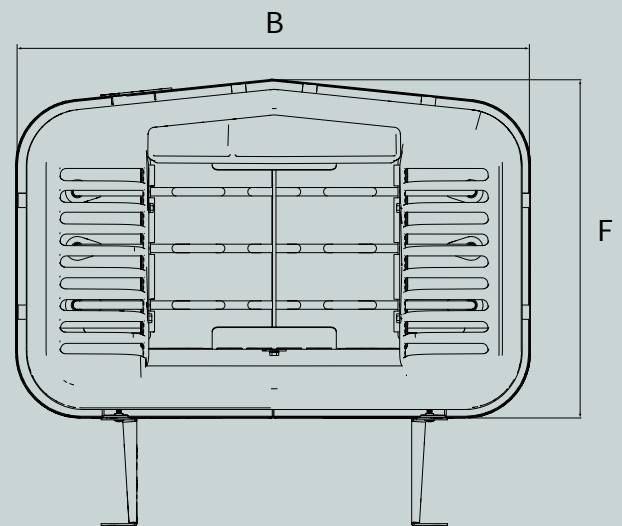
# Electric sauna heater in technical terms

Always choose the highest recommended output in relation to the volume of the sauna. This is especially important in log saunas and saunas with glazed wall sections. The greater the heat output in relation to the size of the sauna room, the lower the overall energy consumption. Example: In a sauna measuring 4 m<sup>3</sup>, 6.6 kW is a better choice than 4.5 kW.

### PRACTICAL WALL MOUNTING - SIMPLE CLEANING

Install the heater on the wall, with the bottom edge 270 mm above the floor (170 mm for Combi 4 and Compact).

**NB** For wall-mounted heaters, the F dimension includes wall bracket.



# Wood-fired sauna heater in technical terms

## COANDA DESIGN

The Karhu wood-fired stove is equipped with our patented Coanda design, a feature that stores the heat for a very long period. One stoking is usually sufficient to heat the sauna from 20°C to the temperature required.

## SAUNA CHIMNEYS

We offer complete, high-quality chimney kits specially developed for use with our wood-fired sauna stoves. Our top-quality modular chimney systems are used primarily with wood-fired sauna stoves in sauna rooms without an existing chimney, and for conversions and new constructions. The flues are manufactured in acid-resistant stainless steel, with high-grade ceramic insulation on the outside. Adapter 114/127, 5MM (item no. 6505 3090) makes it possible to select from both chimney kits.

## KARHU CHIMNEY KIT

Ø 130 mm to fit our Karhu and Saga wood-fired sauna stoves.

Item no. 6505 3080

## INSULATED EXTENSION MODULES

130/1000 mm

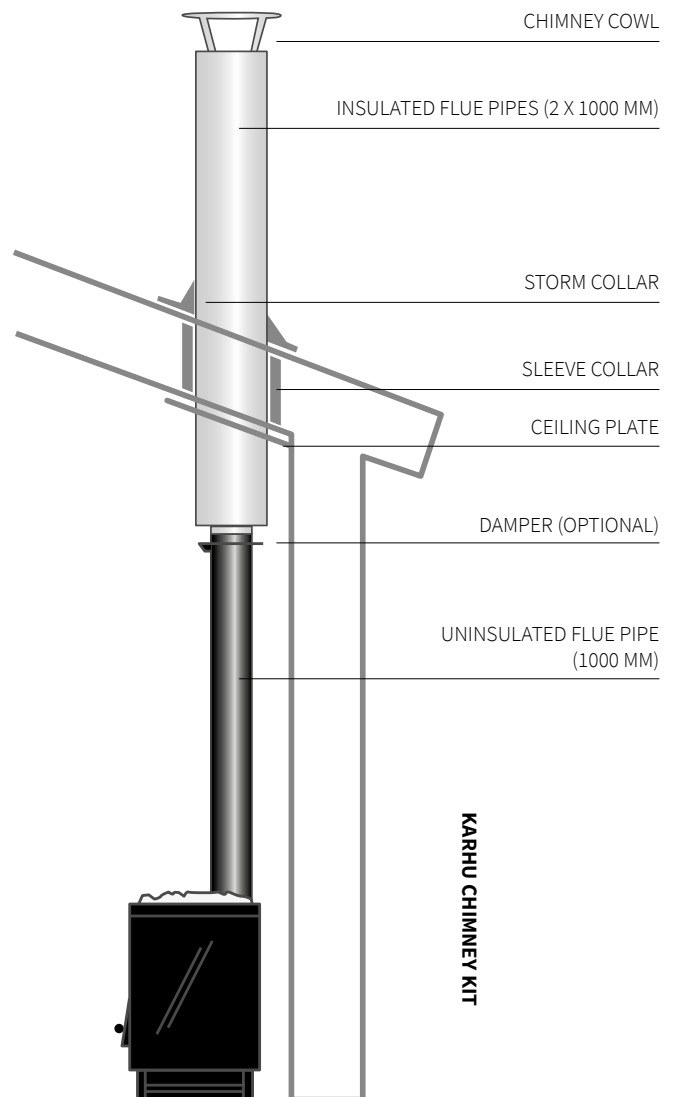
Insulated intermediate section, length 1000 mm. Ø 130 mm.

Item no. 6505 3082

130/500 mm

Insulated intermediate section, length 500 mm. Ø 130 mm.

Item no. 6505 3084



## Sauna heaters

Model	Output (kW)	Sauna volume (m <sup>3</sup> )**	Minimum distance to side wall (mm)	Minimum ceiling height in the sauna (mm)	
Compact 2/4	2.2 – 4.5	1.2 – 4.5***	50	1900	
Curve 6	6.6	4 – 8	110	1900	
Curve 8	8	6 – 12	110	1900	
Sense Sport 6	6.6	4 – 8	110	1900	
Sense Sport 8	8	6 – 12	110	1900	
Sense Pure 6	6.6	4 – 8	110	1900	
Sense Pure 8	8	6 – 12	110	1900	
Sense Plus 6	6.6	4 – 8	110	1900	
Sense Plus 8	8	6 – 12	110	1900	
Sense SK 6	6.6	4 – 8	110	1900	
Sense SK 8	8	6 – 12	110	1900	
Expression	10	10 – 18	200	1900	
Air 10	10.5	10 – 18	120	1900	
Tylö Megaline OC 10	10.5	9 – 15	25	1900	
Tylö Megaline OC 12	12.0	10 – 18	65	2100	
Tylö Megaline OC 15	15.0	14 – 24	65	2100	
Tylö Megaline SK 18	18.0	18 – 30	140	2100	
Tylö Megaline SK 21	21.0	24 – 36	140	2100	
Tylö Megaline SK 26	26.0	30 – 46	140	2100	
SDK 10	10.7	10 – 18	150	1900	
SD 16	16	15 – 35	150	2100	
SD 20	20	22 – 43	150	2100	

## Sauna heaters Soft Sauna

Model	Output (kW)	Sauna volume (m <sup>3</sup> )	Minimum distance to side wall (mm)	Minimum ceiling height in the sauna (mm)	
Combi 4	4	1.2 – 4.5	50	1900	
Sense Combi 6	6	4 – 8	110	1900	
Sense Combi 8	8	6 – 12	110	1900	
Expression Combi	10	10 – 18	200	1900	

## Wood-fired sauna heaters

Model	Output (kW)	Sauna volume (m <sup>3</sup> )	Minimum distance to side wall (mm)			
			Front	Side	Back	
Karhu PK 12	18.2	8 – 12	500	400	400	
Karhu PK 20	21.6	13 – 20	500	400	400	
Karhu PK 27	24.7	20 – 27	500	400	400	
Karhu PK 37	29	25 – 30.5***	500	400	400	
Karhu PK 20 VO*/VV**	21.6	13 – 20	500	400/150****	400	
Karhu PK 27 VO*/VV**	24.7	20 – 27	500	400/150****	400	
Karhu PK 37 VO*/VV**	29	25 – 30.5***	500	400/150****	400	
Saga 20 PK	20	13 – 20	500	250	500	
KASTOR VIDA 16	16.5	8-16	500	400	400	
KASTOR VIDA 20	18.8	13-20	500	400	400	
KASTOR VIDA 16 ES	16.5	8-16	500	400	400	
KASTOR VIDA 20 VO	18.8	13-18	500	400	400	
KASTOR VIDA 20 VV	18.8	13-18	500	400	400	

	Suitable control panel	Weight without stones (kg)	Weight of stones (kg)	Size in mm (see diagram on previous page)					
				A	B	C	D	E	F
	Integral	6	7	400	310	195	260	135	170
	Integral	13	20	579	485	330	210	150	330
	Integral	13	20	579	485	330	210	150	330
	Integral	16	20	559	431	206	262	262	375
	Integral	16.5	20	559	431	206	262	262	375
	Pure (included)	17	20	559	431	206	262	262	375
	Pure (included)	17.5	20	559	431	206	262	262	375
	CC50, EC50, h1	17	20	559	431	206	262	262	375
	CC50, EC50, h1	17.5	20	559	431	206	262	262	375
	h1, EC50, CC50 + Relay box 30	16	20	559	431	206	262	262	375
	h1, EC50, CC50 + Relay box 30	16.5	20	559	431	206	262	262	375
	h1, CC50, CC300 + RB 30	29	12	730	500	-	-	-	300
	Pure (included)	14.5	100	923	410	-	-	-	252
	h2 + relay box WE 14	27	60	700	550	-	-	-	550
	h2 + relay box WE 14	28	60	700	550	-	-	-	550
	h2 + relay box WE 14	29	60	700	550	-	-	-	550
	h2 + relay box WE 14	41	120	700	895	-	-	-	520
	h2 + relay box WE 14	42	120	700	895	-	-	-	520
	h2 + relay box WE 14	44	120	700	895	-	-	-	520
	TS 16, TS 30, CC + RB 30	30	25	570	650	310	600	165	395
	TS 30, CC + RB 60	32	25	570	650	310	600	165	395
	CC + RB 60	32	25	570	650	310	600	165	395

\*\*If the sauna walls are lined with tile, glass or stone, you must enlarge the sauna by 1 m<sup>3</sup> for each m<sup>2</sup> of heavy wall material. \*\*\*Max 2.5 m<sup>3</sup> at 2.2 kW.

\*The TS controls do not require a relay box (RB).

	Suitable control panel	Weight without stones (kg)	Weight of stones (kg)	Size in mm (see diagram on previous page)					
				A	B	C	D	E	F
	h1 (included)	12	7	400	310	-	245	-	225
	h2 (included)	23.5	20	559	431	280	185	210	375
	h2 (included)	23.5	20	559	431	280	185	210	375
	h2 + relay box RB 45 (included)	32	12	730	500	-	-	-	300

	Flue opening diameter	Weight without stones (kg)	Weight of stones (kg)	Size in mm width x depth x height
	129	61	35 - 40	415 x 485 x 715
	129	76	45 - 50	480 x 480 x 790
	129	84	55 - 60	480 x 480 x 920
	129	124	85 - 90	580 x 580 x 920
	129	81	45 - 50	670 x 480 x 790
	129	88	55 - 60	670 x 480 x 920
	129	129	85 - 90	750 x 580 x 920
	129	93	145 - 150	600 x 585 x 825
	115	54	25-30	390 x 440 x 725
	115	57	35-40	390 x 470 x 750
	115	65	25-30	390 x 645 x 725
	115	62	35-40	550 x 470 x 760
	115	62	35-40	550 x 470 x 760

\*Karhu VO is the same as Karhu, except with the water tank on the right-hand side (viewed from the front). \*\*Karhu VV is the same as Karhu, except with the water tank on the left-hand side (viewed from the front). \*\*\* Also suitable for a larger sauna of 37 m<sup>3</sup>. \*\*\*\* 150 mm on the water tank side.

# Optional extras / Accessories

## Sense

Option	Combi	Plus	Pure	Sport	SK
Stand	+	+	+	+	+
Fragrances	+	+	+	+	+
Steam feature	•	-	-	-	-
Diabase sauna stones (9014 1050, 20 kg)	+	+	+	+	+
Control panel	•	+	•	Integral	+
5-year material guarantee	•	•	•	•	•

• = included + = optional - = not available

## Combi and Compact

Option	Combi Compact 4	Compact 2/4
Stand	-	-
Fragrances	+	+
Steam feature	•	-
Mini sauna stones (9014 1005, 7 kg)	+	+
Control panel	•	Integral
5-year material guarantee	•	•

• = included + = optional - = not available

## Expression

Option	Expression	Expression Combi
Stand	•	•
Fragrances	+	•
Steam feature	-	•
Sauna stones (9014 1000, 14 kg)	+	+
Control panel and relay box	+	•
5-year material guarantee	•	•

• = included + = optional - = not available

# Control panel

1 - **EC50** Makes it simple and economical to have complete control of your sauna or steam sauna. It has an easy-to-read display for convenient control of the start-up time, temperature and lighting. The panel incorporates a child-proof code lock to prevent accidental operation. Compatible with the following heaters and steam generators: Sense Plus, SD, SDK, VB and VA. Size: 130 x 190 mm, depth 27 mm. IP 24. Item no. 7121 4050

2 - **CC 300** Can be set to run for between 1 and 24 hours and has a display that indicates temperature, remaining operating time, day and time. In addition, the CC300 comes with a switch for lighting, English instructions, memory features, security code and energy-saving, stand-by function. The CC300 has an integral weekly timer for optional automatic on/off operation and stand-by mode at preselected times on the days of your choice. The control panel can also be controlled from external units. Size: 130 x 190 mm, depth 27 mm. IP 24. Item no. 7111 5150

3 - **CC300T** Can be set to run for between 1 and 24 hours and has a display that indicates temperature, humidity, remaining operating time, day and time. In addition, the CC300T is equipped with a switch for lighting, English instructions, a memory, security code and energy-saving stand-by function. The CC300T has an integral weekly timer for optional automatic on/off operation and stand-by mode at preselected times on the days of your choice. The control panel can also be controlled from external units. Size: 130 x 190 mm, depth 27 mm. IP 24. Item no. 7111 5155

4 - **CC50** Has a display for time and temperature, switch for lighting and security code function. Programmable for 1, 3, 12 and 24 hours or continuous operation. 0–10 hour preset. Add a relay box when installing an SD sauna heater. Item no. 7121 4005

## EXTERNAL SWITCH

On/off switch to control the sauna from locations other than where the control panel (not the TS control panel) is installed. Indicator light shows if the sauna is on or off. Fits standard wall mounting box recessed or surface mounted. Size: 80 x 80 x 47 mm. Item no. 9090 8047

## DOOR CONTACT

Prevents unintentional start-up of the sauna by remote control if the sauna door is open. Suitable for Pure, Elite and Elite Wifi. Item no. 9090 8035

5 - **TS 16-6** Control panel for wall-mounted installation outside the sauna (max. distance 1.8 m). Robust and reliable construction with timer, 6-hour operating time, thermostat and pilot lamp. Energy-efficient heater control - reduces the output once the sauna has heated up. Capillary tube: 1.8 m. Item no. 7020 2030

5 - **TS 16-6 5M**  
Item no. 7020 2032

5 - **TS 16-6 B**  
Item no. 7020 2034

5 - **TS 16-6B 5M**  
Item no. 7020 2036

5 - **TS 30-6** Thermostatically-controlled panel for SDK 10 and SD 16 sauna heaters. For wall-mounted installation outside the sauna (max. distance 1.8 m). Equipped with timer for 6-hour operating time. Item no. 7020 2038

5 - **TS 30-6 5M**  
Item no. 7020 2040

6 - **H1** Touch control panel that displays the time and temperature in operating mode. Can be programmed to start up to 24 hours in advance and run for 1 to 23 hours for a steam

room and 1 to 12 hours for a sauna. The control panel also allows you to regulate the lighting in your sauna. Tylö's h1 control panel lets you set the maximum temperature, switch between Fahrenheit and Celsius, use a 12-hour or 24-hour format, set different languages, and more advanced settings and test options. Tylö's h1 control panel can replace Tylö's CC10 and CC50 control panels. Size: 140 x 80 mm, depth 19 mm. Item no. 7200 1020

7 - **H2** Same functions as the H1. But with the h2 control panel, you can even preset the start program for one week in advance complete with repetitions, do trouble-shooting and control the atmospheric humidity in the sauna room. Size: 140 x 80 mm, depth 19 mm. Item no. 7200 1100

8 - **PURE** Thermostat-controlled touch control panel, for installation inside or outside the sauna room. Specially designed for Air and Sense Pure sauna heaters. Pure control panel not sold separately. Size: 86 x 86 mm. IP88.

## 9 - ELITE AND ELITE WIFI

Tylö's Elite control panel has a processor and an operating system that allows a variety of advanced functions. In addition to a number of personal settings, Elite can also be programmed to suit your personal schedule. Features such as extra fans, fragrance pumps and a sound system can also be added. The Elite control panel can be installed inside or outside the sauna room. Everything can be controlled just as simply and precisely. The crystal-clear 4.5-inch screen allows you to keep a constant check on the various functions. Naturally it also features energy-saving functions and the option to connect to a wireless network.

**Elite wifi** - Item no. 7200 5000

**Elite** - Item no. 7200 5001



1



5



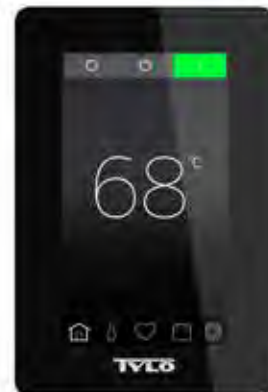
8



2/3



6/7



9

To be launched in 2016

Pictures not to scale

# Sauna accessories



## BACKREST

Hemlock, 500 x 400 mm.  
Item no. 9008 1020



## LADLE ALU/BAMBOO

Aluminium and bamboo ladle.  
**6-pack**  
Item no. 9015 2874  
**Single**  
Item no. 9015 2879



## SAUNA LADLE CEDAR XL

Ladle of durable cedar and stainless steel.  
Item no. 9012 1052



## SAUNA WHISKS 5-PACK

Tylö's sauna whisks are carefully dried and packaged in packs of 5.  
Item no. 9002 9032

**NEW**



## TARRED WOODEN BUCKET

Item no. 9004 1052

## TARRED WOODEN LADLE

Item no. 9012 1017



## BUCKET ALU/BAMBOO

Aluminium and bamboo bucket.  
**6-pack**  
Item no. 9015 2872  
**Single**  
Item no. 9015 2873



## COLLAGE SC

Item no. 9007 1012



## HYGROMETER/ THERMOMETER PRO

Keep an accurate check on temperature and humidity.  
Item no. 9070 1030



## BUCKET CLASSIC

Item no. 9004 1010

## LADLE CLASSIC

Item no. 9012 1025



## SHOWER BARREL

10-litre shower barrel with automatic water refill for a refreshing cool-down after your sauna.  
Height with chain: 630 mm.  
Item no. 9002 9050



## FIXED HEADREST

Headrest made of narrow wooden slats. 37.5 x 27 x 8 cm.  
**Alder** Item no. 9008 1016  
**Aspen** Item no. 9008 1014



## FRAGRANCE STONE

Place on top of the stones in the sauna heater's stone compartment.  
Fill with water and essential oils.  
Approx. size (WxDxH) 120x100x80 mm  
Item no. 9002 9048



## PRO ACCESSORIES

Stainless steel and aspen accessories.

### Bucket pro

Item no. 9004 1005

### Ladle pro

Item no. 9012 1020

### Hygrometer/Thermometer pro

Item no. 9070 1030



## ADJUSTABLE SAUNA HEADREST

Height adjustable. 42.5 x 37.5 x 7 cm.  
**Alder** Item no. 9008 1012  
**Aspen** Item no. 9008 1010



## FRAGRANCE DISPENSER, TYLÖ FRESH

For saunas and steam baths. Silent and automatic. Max. two metres between fragrance dispenser and steam head.  
Item no. 9090 8005

## CC FRESH

Electronic control panel for automatic control of our Tylö Fresh dispenser. Supplied with transformer. Can be installed at any distance from the fragrance dispenser.  
Size: 130 x 190 mm, depth 27 mm.  
Item no. 9090 8009

## TYLÖ FRESH BASIC

As above, but with simple on/off manual control for fragrance intensity. Can also be connected to lighting.  
Item no. 9090 8007



**ESSENTIAL OILS**

Concentrate of natural fragrances specially produced for our Tylo Fresh fragrance dispenser for saunas and steam baths. 25 cl plastic bottle.

- Eucalyptus 25**  
Item no. 9002 2030
- Peppermint 25**  
Item no. 9002 2031
- Pine 25**  
Item no. 9002 2032
- Lavender 25**  
Item no. 9002 2033
- Citrus 25**  
Item no. 9002 2036



**FRAGRANCE DIFFUSER**

To hang over the sauna heater's bed of stones. Fill with water and essential oils.

Item no. 9002 9046



**ESSENTIAL OILS**

100% essential oils. Release invigorating scents in your sauna.

- |   |   |
|---|---|
| <b>Eucalyptus 50 ml</b><br>Item no. 9002 3022 | <b>Lemon 10 ml</b><br>Item no. 9002 3020      |
| <b>Eucalyptus 10 ml</b><br>Item no. 9002 3010 | <b>Night time 10 ml</b><br>Item no. 9002 3002 |
| <b>Peppermint 10 ml</b><br>Item no. 9002 3012 | <b>Energy 10 ml</b><br>Item no. 9002 3004     |
| <b>Lavender 10 ml</b><br>Item no. 9002 3014   | <b>Refresh 10 ml</b><br>Item no. 9002 3006    |
| <b>Orange 10 ml</b><br>Item no. 9002 3016     | <b>Harmony 10 ml</b><br>Item no. 9002 3008    |
| <b>Grapefruit 10 ml</b><br>Item no. 9002 3018 | <b>Sensual 10 ml</b><br>Item no. 9002 3000    |



**COLLECTION OF ESSENTIAL OILS**

Five selected blends in a gift pack.

Item no. 9002 3024



**STEAM DISTRIBUTOR FOR TYLARIUM**

The Tylo steam distributor improves the distribution of steam in your sauna room. Specially designed for SD/SDK sauna heater.

Item no. 9002 9261



**CONCENTRATED FRAGRANCES**

For earlier models of Tylo Sauna Fresh and Stream Fresh.

- Eucalyptus-250**  
Item no. 9002 0000
- Lemon-250**  
Item no. 9002 0010
- Pine-250**  
Item no. 9002 0020



**CLASSIC FRAGRANCE COLLECTION 4-PACK**

Essential oils gift set. Eucalyptus, peppermint, lavender and lemon.

Item no. 9002 3030



**WATER SPRINKLER**

Kit for sprinkling water. Connect to hot or cold water. Available in a gift package complete with bronze plaque.

Item no. 9034 1000



**SAUNA STONE**

Natural stones of black diabase that tolerate rapid heating and cooling.



**LUXURY FRAGRANCE 2-PACK**

Natural oils in a gift pack, not essential oils. Limited edition. Good Father (smoky tobacco), Champagne (fruity).

Item no. 9002 3032



**4 SEASONS FRAGRANCE COLLECTION, 4-PACK**

Natural oils in a gift pack, not essential oils. Juicy Citrus (citrus grapefruit), Mint Leaves, Vanilla Spice and Misty Forest (cedar wood).

Item no. 9002 3034

**Standard sauna stones**

One box (approx 14 kg) is sufficient for our Expression heater, two boxes for SDK/SD.

Item no. 9014 1000

**Wood-fired/Air sauna stones**

Larger diabase stones, suitable for wood-fired sauna stoves and Air sauna heater. The stones provide better air circulation and retain heat longer. One box holds 20 kg.

Item no. 9014 1007

**Mini compact sauna stones**

7 kg diabase stones.

Item no. 9014 1005

**Sauna stones, 20 kg**

Diabase stones suitable for Sense and Curve sauna heaters.

Item no. 9014 1050



**DARK ACCESSORIES**  
Aluminium and dark wood.

- Bucket**  
Item no. 9015 2700
- Ladle**  
Item no. 9015 2710
- Thermometer**  
Item no. 9015 2720
- Hygrometer**  
Item no. 9015 2730

- Hygrometer/Thermometer**  
Item no. 9015 2740
- Hourglass**  
Item no. 9015 2750
- Towel rack**  
Item no. 9015 2770



**BLONDE ACCESSORIES**  
Aluminium and light wood.

- Bucket**  
Item no. 9015 2000
- Ladle**  
Item no. 9015 2010
- Thermometer**  
Item no. 9015 2025
- Hygrometer**  
Item no. 9015 2035

- Hygrometer/Thermometer**  
Item no. 9015 2045
- Hourglass**  
Item no. 9015 2050
- Towel rack**  
Item no. 9015 2070



**BASIC ACCESSORIES**  
Light wood and stainless steel.

- Thermometer**  
Item no. 9015 2821
- Hygrometer**  
Item no. 9015 2831
- Hygrometer/Thermometer**  
Item no. 9015 2811
- Hourglass**  
Item no. 9015 2840



**DARK GIFT PACKAGE**  
Contains ladle, bucket, fragrance, hygro/thermo.  
Item no. 9015 2884



**BLONDE GIFT PACKAGE**  
Contains ladle, bucket, fragrance, hygro/thermo.  
Item no. 9015 2882



**SAUNA CLASSIC GIFT PACKAGE**  
Contains classic bucket, ladle, hygrometer/thermometer, hourglass and sauna fragrance.  
Item no. 9015 2894



**SAUNA LAMP 60 W**

For wall mounting. White lamp holder E14. IP 55. Max. 60 W. Diameter 205 mm, height 105 mm. IP 24. Item no. 9001 1004



**SAUNA LAMP 40 W**

For wall mounting. White lamp holder E14. IP 55. Max 40 W. Diameter 90 mm, height 170 mm. Item no. 9001 1000



**SAUNA LED LIGHTING**

Includes lighting strips and transformer. Can be installed either inside or outside the sauna (not in the ceiling). Warm-white glow. Voltage 12 V. IP 54. Transformer LED 12 V DC 20 W.

- LED 1** Length 500 mm. 2.4 Watt. Item no. 9001 1022
- LED 2** Length 870 mm. 4.1 Watt. Item no. 9001 1024
- LED 3** Length 2 x 500 mm. 4.4 Watt. Item no. 9001 1026
- LED 4** Length 3 x 500 mm. 7.2 Watt. Item no. 9001 1028



**LAMP SHADE SR**

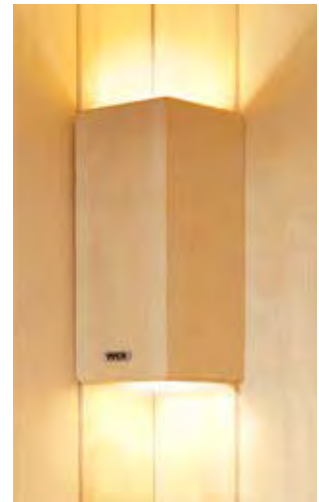
Exclusive shade made of narrow aspen or alder slats. Fits lighting strip 38.

- Aspen-V-SR** Wall-mounted. 54x24x6 cm. Item no. 9009 1017
- Aspen-H-SR** Corner-mounted. 54x22x4 cm. Item no. 9009 1018
- Alder-V-SR** Wall-mounted. 54x24x6 cm. Item no. 9009 1015
- Alder-H-SR** Corner-mounted. 54x22x4 cm. Item no. 9009 1016



**LAMP SHADE GL**

Elegant lamp shade made of specially chosen aspen. Fits our 40 W lamps. Intended for corner mounting. 50 x 36 x 4 cm. Item no. 9009 1003



**SAUNA LIGHT E90**

0.8 W. 90 x 90 x 200 mm. IP class 54. Warm-white glow. Transformer not included. Item no. 9001 1420



**LAMP SHADE ASPEN**

Decorative aspen lamp shade, spreads a gentle glow in the sauna. Fits our 40 W lamps.

- Aspen-V** Wall-mounted. 50 x 28 x 15 cm. Item no. 9009 1010
- Aspen-H** Corner-mounted. 50 x 34 x 8 cm. Item no. 9009 1011



**LAMP SHADE 40/60**

Wall-mounted pine shade for use with 40 W and 60 W sauna lamps. 25 x 25 x 14 cm. Item no. 9009 1002



#### LIGHTING STRIPS

Installed behind the backrest for pleasant, subdued lighting in the sauna. Can be cut to size. 12 V.

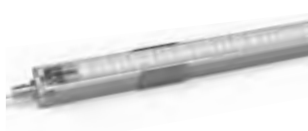
Connect to 12 V transformer. IP 65.

**Lighting strip 38** Length 38 cm. 12 W output. Item no. 9001 1190

**Lighting strip 50** Length 50 cm. 15 W output. Item no. 9001 1192

**Lighting strip 90** Length 90 cm. 27 W output. Item no. 9001 1194

**Lighting strip 190** Length 190 cm. 57 W output. Item no. 9001 1196



#### LED LIGHT STRIP

Developed to allow for more subtle lighting effects. 12 V DC. Dimmable. Warm white 3000K.

**LED 38CM 12V/DC 0.16w**  
Item no. 9001 1350

**LED 50CM 12V/DC 0.25w**  
Item no. 9001 1352

**LED 90CM 12V/DC 0.50w**  
Item no. 9001 1354

**LED 190CM 12V/DC 1.20w**  
Item no. 9001 1356

**LED made-to-measure 12V/DC 1 w/m**  
Price on request



#### DOWNLIGHT LED 0.66W SAUNA 6ST

Downlight in brushed steel that creates a warm glow. (2700K).

Item no. 9001 1099



#### LED DOWNLIGHT

LED downlight for ceiling installation. Warm-white glow (3200-3500 K), 1.2 W output. Height 30 mm, ø 60 mm. Supplied in pairs including transformer to handle up to 7 downlights. IP class 68.

**2 including transformer**  
Item no. 9001 1089

**1 excluding transformer**  
Item no. 9001 1089



#### TRANSFORMER LED 0-20W

200-240 V ~ /12 V. Max. load 20 W. NB: The transformer must always be installed outside the sauna.

Suitable for E90, E28 and LED light strip. LED transformer dimmable on the secondary side.

Item no. 9090 1030



#### TRANSFORMER LED 3-6W

230V~/9-18V. Max. load 6 W.

NB: The transformer must always be installed outside the sauna. Suitable for Tylö LED downlights. IP class 21.

Item no. 9090 1022



#### TRANSFORMER LED 6-18W

LED TRANSFORMER 230V~/18-52V. Max. load 18 W. Dimmable.

NB: The transformer must always be installed outside the sauna. Suitable for Tylö LED downlights. IP class 21.

Item no. 9090 1024



#### TRANSFORMER LED 0-4W

240V~/0.5-10.5V. Max. load 4 W.

NB: The transformer must always be installed outside the sauna. Suitable for Tylö LED downlights. IP class 65.

Item no. 9090 1026



#### OPUS 200 H135

Sauna lamp for wall/ceiling. E27, 40 W ceiling, 60 W wall, 230 V, IP 44, matt opalescent glass. Diameter 200 mm, height 135 mm.

Item no. 9001 1094



#### OPUS 100 H100

Sauna lamp for wall. G9, 25 W, 230 V, IP 44, matt opalescent glass.

Diameter 100 mm, height 100 mm. Item no. 9001 1090



#### OPUS 100 H125

Sauna lamp for wall/ceiling. G9, 25 W, 230 V, IP 44, matt opalescent glass.

Diameter 100 mm, height 125 mm. Item no. 9001 1091



#### OPUS 100 H175

Sauna lamp for wall/ceiling. E27, 40 W ceiling, 60 W wall, 230 V, IP 44, matt opalescent glass.

Diameter 100 mm, height 175 mm. Item no. 9001 1092



#### OPUS 100 H175

Sauna lamp for wall/ceiling. E27, 40 W ceiling, 60 W wall, 230 V, IP 44, clear glass. Diameter 100 mm, height 175 mm.

Item no. 9001 1093



#### LIGHT ON HALOGEN

Sauna lamp for wall/ceiling. GU10, 35 W, 230 V, IP 44. Diameter 100 mm, height 115 mm.

Item no. 9001 1003

#### TRANSFORMER 12 V/210W

200-240 V~/12 V max. 210 W. Can be connected to a 7 m lighting strip or 42 x 5 W bulbs (Downlight).

Item no. 9090 1015

#### TRANSFORMER 12 V/60W

As above, but for max. 60 W.

Item no. 9090 1020



**OPTICAL FIBRE LIGHTING**

For atmospheric lighting. The lighting source is embedded in a projector that is placed outside the sauna room.

**Fibre Light Standard**

42 W with 6 fibre light points (2x2 m, 2x2.5 m and 2x3 m).  
Item no. 9001 1100

**Fibre Light Public**

42 W with gilded light fittings and 8 fibre light points (2 x 2.5 m, 3 x 3 m and 3 x 3.5 m).  
Item no. 9001 1120

**Fibre Light Colour S**

75 W with 9 fibre light points (1x0.5 m, 2x1 m, 3x1.6m, 2x1.9 m, 1x2.3m) and a rotating disc for fixed or changing colours.  
Item no. 9001 1125

**Fibre Light Colour** 75 W, as above but with 9 fibre light points on 2.5 m cables for larger rooms.  
Item no. 9001 1130



**RUBEN SKY LED**

Starry sky lighting for a meditative starlit mood. Choice of colours. The included control gives you a choice of seven pre-installed programmes or the option of creating your own programme lasting up to 20 minutes with as many as 20 colour changes. Cable connections, 180 mm mounting sleeves and electronic equipment are included. Can also be synchronised with lighting behind the backrest.

**Ruben Sky 20** Number: 20.  
11.6 W output.  
Item no. 9001 1072

**Ruben Sky 30** Number: 30.  
17.4 W output.  
Item no. 9001 1074

**Ruben Sky 40** Number: 40.  
23.2 W output.  
Item no. 9001 1076

**Ruben Sky 60** Number: 60.  
34.8 W output.  
Item no. 9001 1078

**NEW**



**RGB LIGHTING**

Ready-made package containing LED strip RGB 2 x 1.91 m, transformer and remote control.  
Item no. 9001 1360



**VENTILATION HATCH B**

Fits over the air outlet inside the sauna to regulate air flow.  
Size: 14 x 37.5 cm.

**Aspen** Item no. 9018 1036

**Alder** Item no. 9018 1034

**VENTILATION HATCH C**

For sauna rooms over 25 m<sup>3</sup>.  
Adjustable opening 0 – 300 cm<sup>2</sup>.  
Size: 24.5 x 45.5 cm.

**Aspen** Item no. 9018 1030



**VENTILATION GRILLE C**

For saunas over 25 m<sup>3</sup>.  
Vent opening 300 cm<sup>2</sup>.  
Size: 24.5 x 25.5 cm.

**Aspen** Item no. 9018 1032

**VENTILATION GRILLE B**

Size: 14 x 22 cm.  
**Aspen** Item no. 9018 1040  
**Alder** Item no. 9018 1038

**VENTILATION GRILLE A**

Located on the outside of the air vent. Size 10 x 22 cm (Installation size 8 x 16 cm).  
Item no. 9017 1000



**LOUDSPEAKERS**

Steam and heat-resistant design.

**Speaker A** For installation under the lower bench.

Installation size: diameter 117 mm, depth 60 mm. Item no. 9080 2000

**Speaker B** For surface mounting.

Size 230 x 145 mm, depth 165 mm. Item no. 9080 3000



**HEATER GUARD**

**6-8 V** Wall-mounted heater guard  
6.6-8 kW.  
Item no. 9000 1002

**10-20 V** Wall-mounted heater guard  
10.7-20 kW  
Item no. 9000 1012

**6-8 H** Corner-mounted heater guard.  
6.6-8 kW  
Item no. 9000 1003

**10-20 H** Corner-mounted heater guard  
10.7-20 kW.  
Item no. 9000 1013



**DOOR SHUTTING DEVICE**

For controlled closure of your door.

**Wood** Item no. 9030 1000

**Glass** Item no. 9030 1010



**AUTOMATIC DOOR-CLOSER**

Fits on the hinge side of the door.

Closes from a fully open position.

Item no. 9030 1030



**BATH SHEET**

Bath sheet in highly-absorbent  
500 g white cotton.  
70 x 150 cm.

Item no. 9016 1024



**HAND TOWEL**

Hand towel in highly-absorbent  
500 g white cotton.  
50 x 70 cm.

Item no. 9016 1026



**STRIP PACKAGE**

Contains three strips of light aspen, measuring 12 x 43 x 2400 mm.  
Suitable as a door lining, internal or external ceiling strip, etc.

Item no. 9103 1575



**THRESHOLD**

Suitable for DGB and DGL doors with door widths 7 and 8. Size: 30 x 92 mm.

**DGB width 7 spruce** Item no. 9103 1560

**DGL width 7 aspen** Item no. 9103 1561

**DGB width 8 spruce** Item no. 9103 1565

**DGL width 8 aspen** Item no. 9103 1566



**LOOFAH MITT**

Loofah mitt with peeling  
effect. Use in the sauna  
or shower.

Item no. 9002 9044



**BACK SCRUBBER**

With peeling effect. Specially  
designed for those hard-to-reach  
places on your back.

Item no. 9002 9042



**KIMONO**

Elegant kimono with roomy  
sleeves in 330 g white cotton.  
To wrap up after your sauna.

**S/M** Item no. 9016 1020

**L/XL** Item no. 9016 1022



**SAUNA HAT**

Item no. 9015 2896



**FLIP FLOPS (WOMENS)**

Item no. 9016 0920

**FLIP FLOPS (MENS)**

Item no. 9016 0922



**SAUNA KILT**

100 % cotton made in Austria.

**Men's kilt 60 x 153 cm**

Item no. 9015 2890

**Women's kilt 78 x 153 cm**

Item no. 9016 2892



**BAMBOO BRUSH**

Bamboo brush.

**6-pack**

Item no. 9015 2876

**Single**

Item no. 9015 2878

**SAUNA OIL 1L**

For treating benches and other  
wood surfaces in the sauna.

Covers approx. 6 m<sup>2</sup>.

Item no. 9002 2050

**DISINFECTANT 5 LITRES**

For effective disinfecting of  
steam baths.

Item no. 9002 9100

**TYLÖ®**

Tylö dealer

